

FMT

AIR AND SURFACE TREATMENT IN STORAGE TANKS

Air treatment · Effective · Reliable

UVpro FMT is specially designed for disinfecting air and surfaces in storage tanks. The lamps are flange-mounted on the tank and protrude into the tank; the sucked-in air is contaminated with germs, and the inner tank walls, are disinfected. The UVpro FMT is also suitable as a complement to treating liquids using a continuous flow reactor.

For labs, doctors' offices, cooling and storage rooms

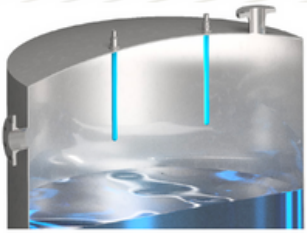
Disinfection of air and surfaces in the tank

Very simple installation, also retrofitting

Incl. monitoring unit, for function monitoring with potential-free contact in case of malfunction and tube failure for alarm messages

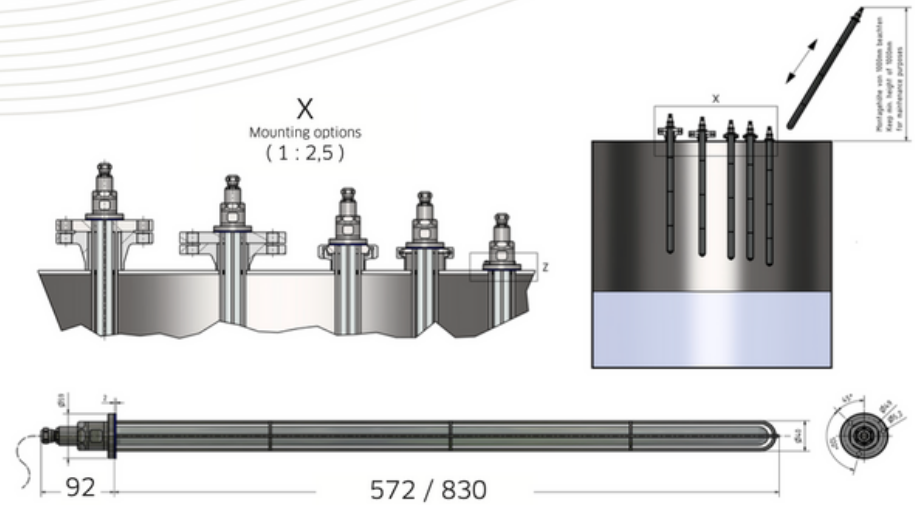
The lamps are PTFE coated and comply with the HACCP and IFS requirements for splinter protection





SPECIFICATIONS

Short name	UVpro FMT			
In conformity with requirements	EMC, CE, IP68, HACCP, IFS, EN 1935-2004			
Material	Stainless-steel			
Operating temperature [°C]	0...+40			
Type	FMMT (mono)		FMDT (duo)	
Suitable UVpro lamp	(1x) UVpro KT30-4	(1x) UVpro KT40-4	(2x) UVpro KT30-4	(2x) UVpro KT40-4
Input power [W]	31	41	62	82
Current flow [mA]	145	195	290	390
Total UVC output [$W_{253.7}$ nm]	11	16	22	32
Tube intensity at 1 m [$\mu W/cm^2$]	95	150	95	150
Tube length from screw joint [mm]	556	814	556	814
Weight UVC module [kg]	2.7	2.8	3.7	3.8
Weight control unit [kg]	1.8			
Screw joint, wrench size [mm]	34			
Tube replacement interval [h]	12,000 (75 % ⁺⁵ % output performance)			
Life expectancy electronics	> 10 years			
Supply voltage [V _{AC}]	220-240 (50-60 Hz)			
Overvoltage category	III			
Cable length, grid / tube [m]	10 / 2			



Application Optimised UV for



Food & Beverage
Industrial UV



Healthcare
Industrial UV



Pharmaceuticals
Industrial UV



Bioclimatic B.V.
The Netherlands

+31 252 626962
info@bioclimatic.nl
www.bioclimatic.nl