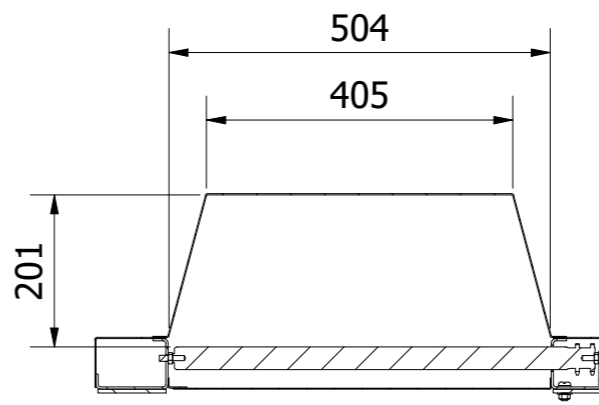
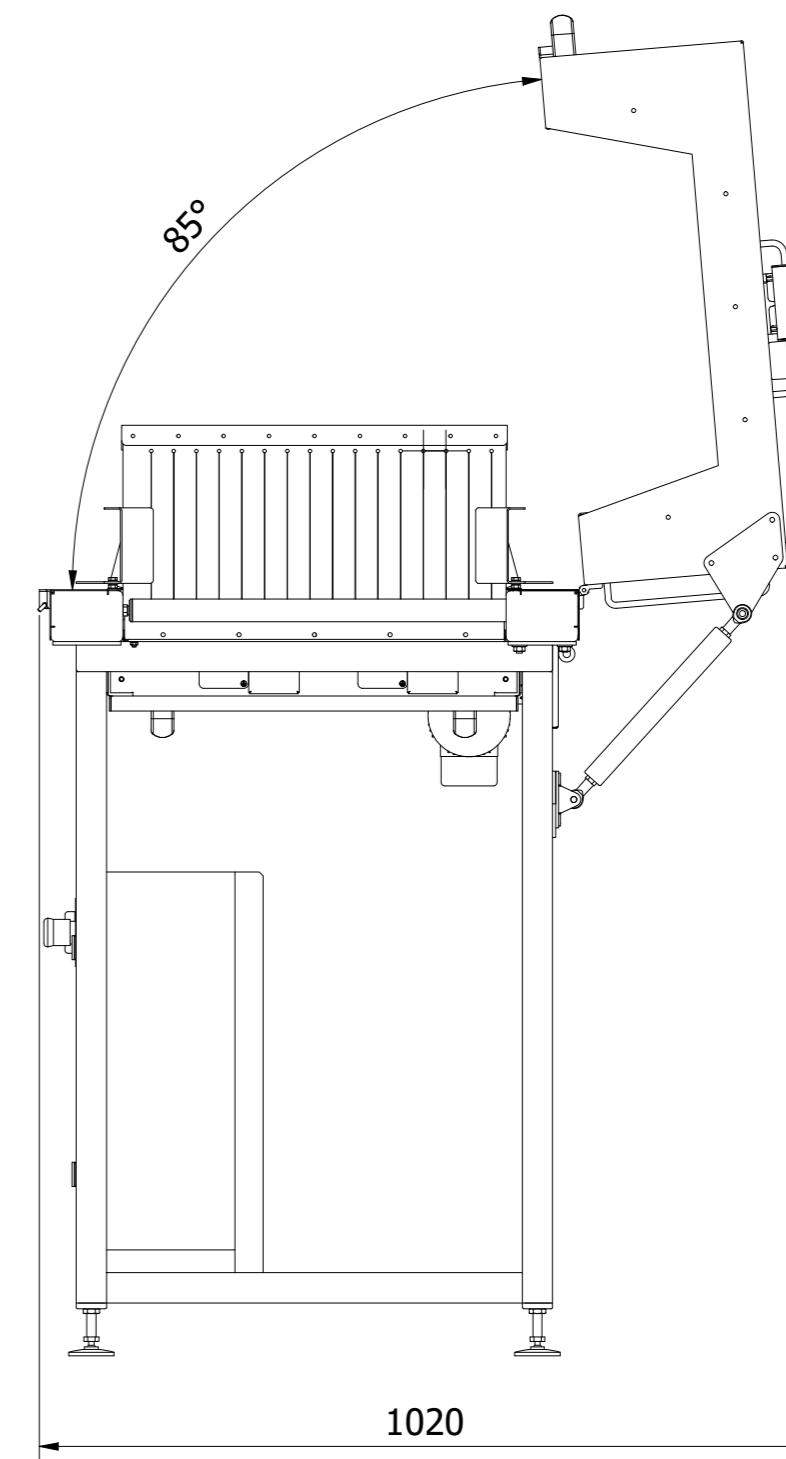
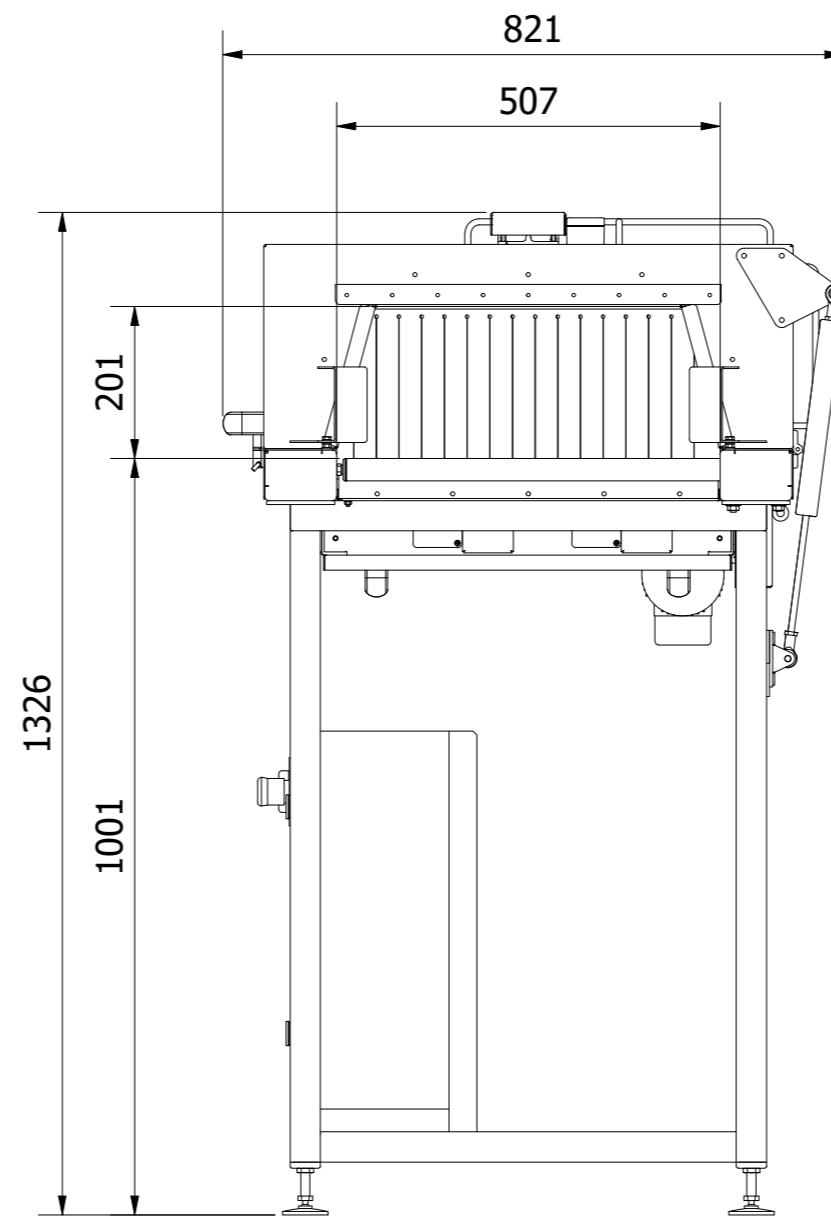
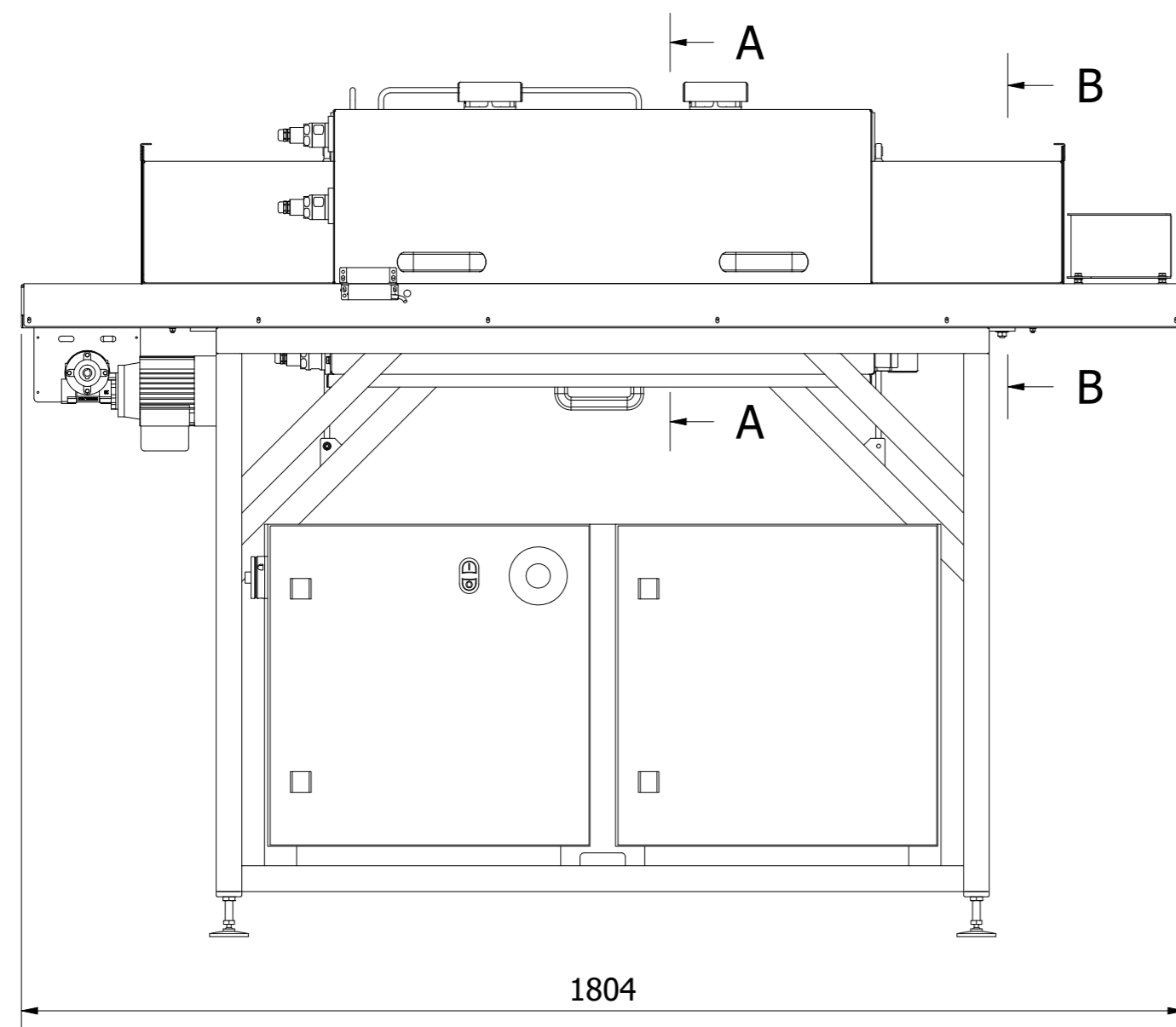
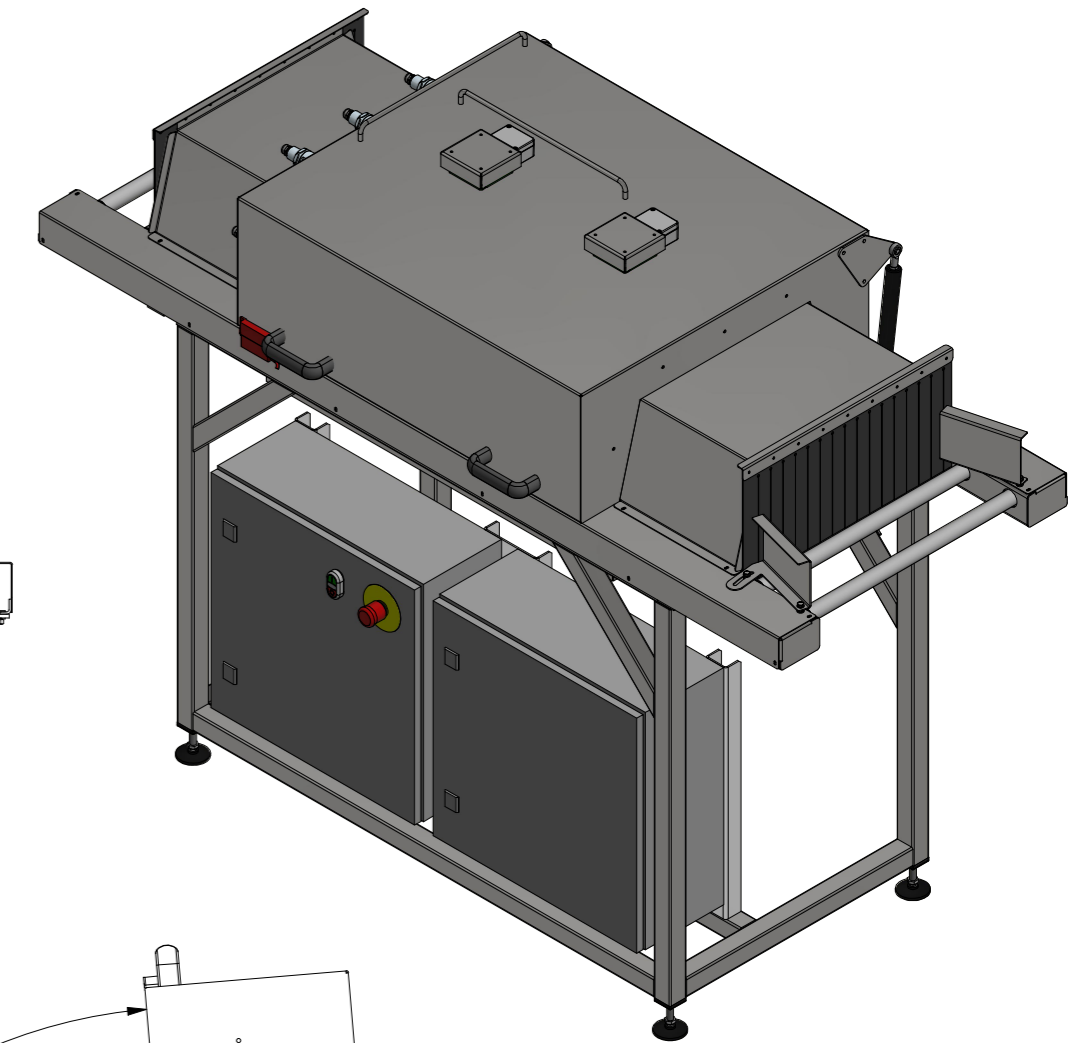


Section A-A
Scale 1 : 10



Section B-B
Scale 1 : 10



PROJECT	Bioclimatic UVC tunnel type 650	
DESCRIPTION	Assembly tunnel opening 500x200	
CLIENT	-	
General tolerance according to ISO 2768-1-m unless otherwise noted Welding tolerance according to ISO 13920-A unless otherwise noted		
REVISION:	00	
CREATION DATE:	27-9-2022	CHECK DATE: 20-1-2022
DRAWN:	PT	CHECKED: -
STATUS:	Ter informatie	SCALE: 1 : 10
UNIT OF MEASURE:	mm	SHEET SIZE: A2
THIS DRAWING IS PROPERTY OF Bioclimatic B.V. NO PART MAY BE REPRODUCED OR PUBLISHED WITHOUT WRITTEN PERMISSION OF THE OWNER.		TITLE BLOCK REVISION: 000



Bioclimatic B.V.
Luzernestraat 6 tel. +31 (0) 252 626962
2153 GN Nieuw-Vennep email: info@bioclimatic.nl

PROJECTNR.	-
DRAWINGNR.	20221220-A01
SHEETNR.	1 / 1